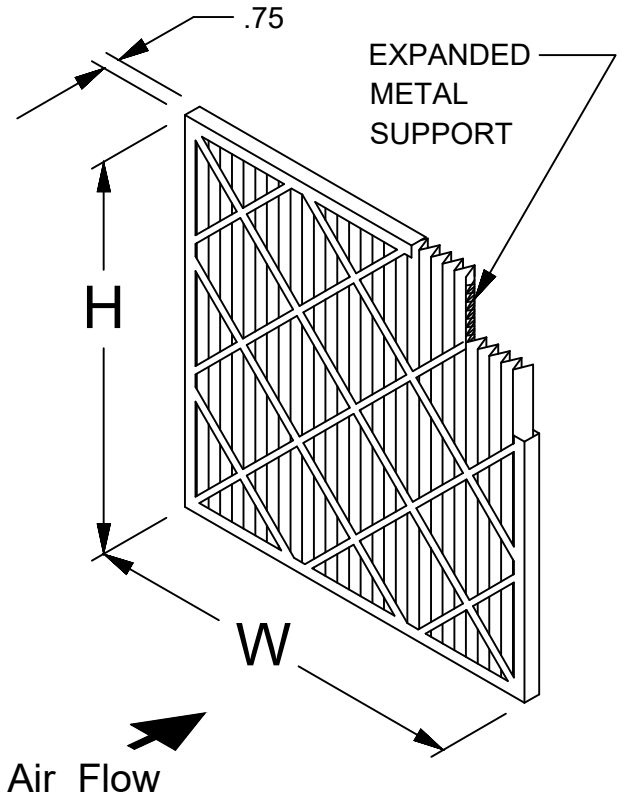


Nominal Size W x H x D (in)	Actual Size W x H x D (in)	Part Number	Capacity (CFM)	Resistance (in W.G.)	Media Area (sq ft)	Carton Qty	Weight per Carton (lbs)
10 x 10 x 1	9-1/2 x 9-1/2 x 3/4	102-041-020	200	0.14	1.2	12	10
10 x 20 x 1	9-1/2 x 19-1/2 x 3/4	102-700-001	425	0.14	2.4	12	7
12 x 12 x 1	11-1/2 x 11-1/2 x 3/4	102-700-051	300	0.14	1.7	12	10
12 x 18 x 1	11-1/2 x 17-1/2 x 3/4	102-041-001	450	0.14	2.6	12	11
12 x 20 x 1	11-1/2 x 19-1/2 x 3/4	102-041-002	500	0.14	2.9	12	12
12 x 24 x 1	11-3/8 x 23-3/8 x 3/4	102-700-002	600	0.14	3.5	12	9
12 x 25 x 1	11-1/2 x 24-1/2 x 3/4	102-041-003	625	0.14	3.6	12	14
14 x 20 x 1	13-1/2 x 19-1/2 x 3/4	102-700-003	575	0.14	3.4	12	11
14 x 24 x 1	13-1/2 x 23-1/2 x 3/4	102-041-005	700	0.14	4.1	12	15
14 x 25 x 1	13-1/2 x 24-1/2 x 3/4	102-700-004	725	0.14	4.2	12	13
14 x 30 x 1	13-1/2 x 29-1/2 x 3/4	102-041-039	875	0.14	5.0	12	14
15 x 20 x 1	14-1/2 x 19-1/2 x 3/4	102-700-005	625	0.14	3.6	12	11
15 x 25 x 1	14-1/2 x 24-1/2 x 3/4	102-041-006	775	0.14	4.5	12	16
16 x 16 x 1	15-1/2 x 15-1/2 x 3/4	102-041-007	550	0.14	3.1	12	13
16 x 20 x 1	15-1/2 x 19-1/2 x 3/4	102-700-006	675	0.14	3.9	12	11
16 x 24 x 1	15-1/2 x 23-1/2 x 3/4	102-041-008	800	0.14	4.6	12	14
16 x 25 x 1	15-1/2 x 24-1/2 x 3/4	102-700-007	850	0.14	4.8	12	12
16 x 30 x 1	15-1/2 x 29-1/2 x 3/4	102-041-018	1000	0.14	5.7	12	15
18 x 18 x 1	17-1/2 x 17-1/2 x 3/4	102-041-009	675	0.14	3.9	12	14
18 x 20 x 1	17-1/2 x 19-1/2 x 3/4	102-041-015	750	0.14	4.3	12	14
18 x 24 x 1	17-3/8 x 23-3/8 x 3/4	102-041-016	900	0.14	5.2	12	14
18 x 25 x 1	17-1/2 x 24-1/2 x 3/4	102-041-011	950	0.14	5.4	12	14
18 x 30 x 1	17-1/2 x 29-1/2 x 3/4	102-041-044	1125	0.14	6.5	12	15
20 x 20 x 1	19-1/2 x 19-1/2 x 3/4	102-700-008	850	0.14	4.8	12	12
20 x 22 x 1	19-3/4 x 21-1/2 x 3/4	102-041-049	900	0.14	5.3	12	13
20 x 24 x 1	19-3/8 x 23-3/8 x 3/4	102-041-017	1000	0.14	5.8	12	14
20 x 25 x 1	19-1/2 x 24-1/2 x 3/4	102-700-009	1000	0.14	6.0	12	13
20 x 30 x 1	19-1/2 x 29-1/2 x 3/4	102-041-012	1250	0.14	7.2	12	16
24 x 24 x 1	23-3/8 x 23-3/8 x 3/4	102-700-010	1200	0.14	6.9	12	14
24 x 30 x 1	23-1/2 x 29-1/2 x 3/4	102-041-013	1500	0.14	8.7	12	16
25 x 25 x 1	24-1/2 x 24-1/2 x 3/4	102-041-014	1300	0.14	7.5	12	16



**Standard Construction:**

1. New White 100% Synthetic Media
2. Rust Resistant Expanded Metal Support on Downstream Side
3. Moisture Resistant Beverage Board Frame (24 point)
4. Double Wall Frame
5. 12 Pleats per Linear Ft.

**Notes:**

1. All Dimensions are in Inches Unless Otherwise Noted.
2. Drawing Not To Scale

**Specifications:**

1. Efficiency: MERV 8 (ASHRAE Standard 52.2-2017)
2. Efficiency: MERV 8-A per Appendix J (ASHRAE Standard 52.2-2017)
3. Final Resistance: 1.0" W.G.
4. Rated Velocity: 300 FPM
5. Classified per UL Standard 900
6. Max Operating Temp: 200 F ( 66C )
7. Tolerance: Height & Width - +/- 1/8"
8. Tolerance: Depth - +/- 1/16"



**Multi-Pleat XL8  
1" Standard Capacity**

REV LTR	REVISION	BY / DATE
A	Add MERV 8-A Reference	DWM 120723

8401 Air Commerce Drive - Louisville KY 40219  
Phone: (502) 634-4796 FAX: (502) 637-2280

Drawn By: Dave Miller  
Date: 23 August, 2022

Revision  
**A**